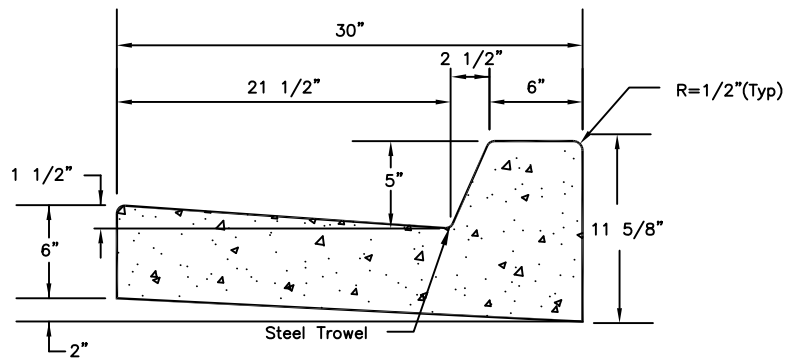
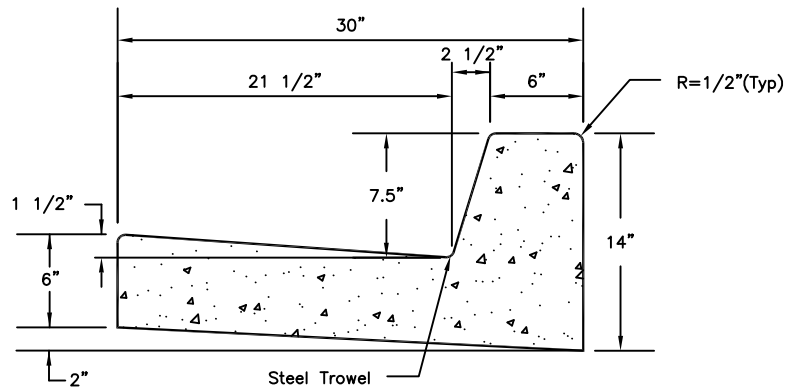


ROLL CURB & GUTTER



6" VERTICAL CURB & GUTTER



8" VERTICAL CURB & GUTTER

CURB & GUTTER

DATE	REVISIONS	BY

CITY OF BIGGS	
STANDARD DETAIL	
202	
DAVID L. SWARTZ, P.E.	1/97
APPROVED	DATE