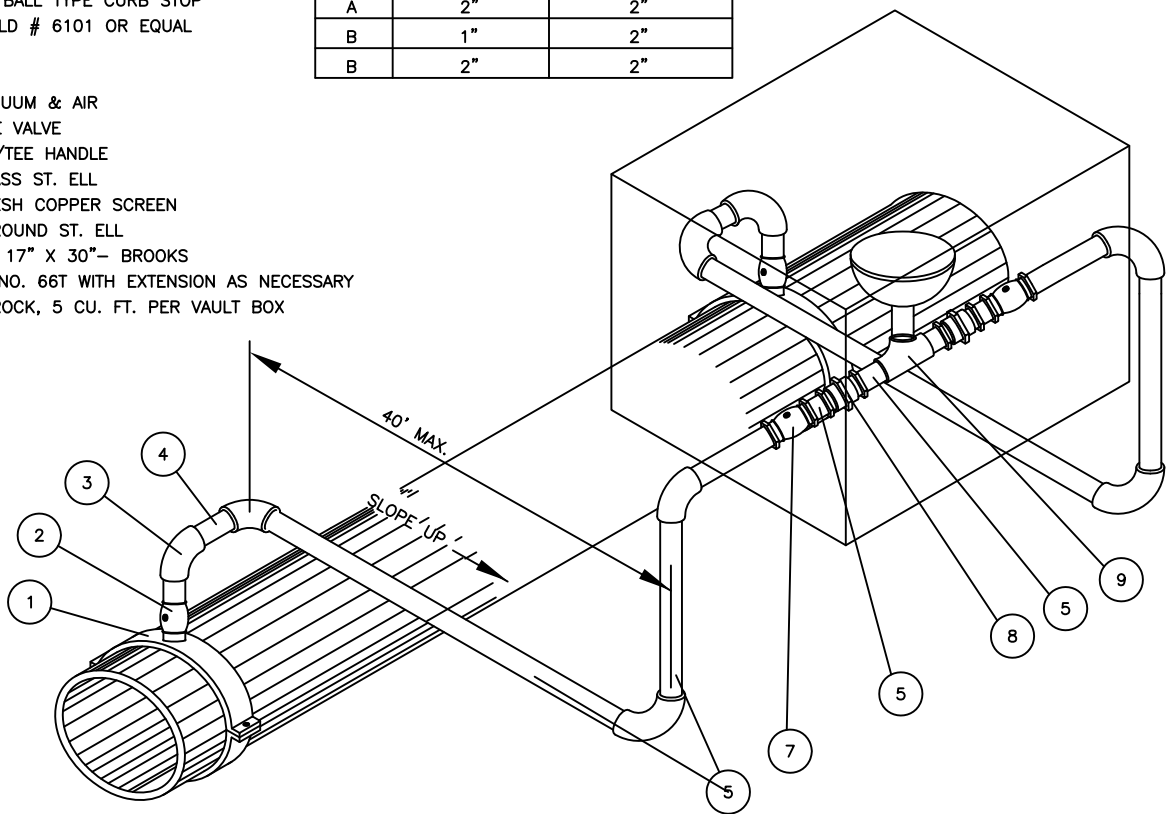


**SINGLE AIR-VACUUM VALVE  
TYPE "B"**

1. SERVICE SADDLE-SMITH BLAIR #313 OR APPR. EQUAL (DBL STRAP FOR ACP. FULL BODY FOR PVC)
2. CORP. STOP-FORD FB 1700
3. 90° ELL
4. NIPPLE
5. GALV. PIPE-RIGID
7. TEFLON BALL TYPE CURB STOP McDONALD # 6101 OR EQUAL
8. UNION
9. TEE
10. AIR-VACUUM & AIR RELEASE VALVE
11. BIBB W/TEE HANDLE
12. 90° BRASS ST. ELL
13. FINE MESH COPPER SCREEN WIRE AROUND ST. ELL
14. VALULT: 17" X 30"- BROOKS MODEL NO. 66T WITH EXTENSION AS NECESSARY
15. DRAIN ROCK, 5 CU. FT. PER VAULT BOX

TYPE	AIR-VALVE SIZE	SIZE OF PIPE FITTINGS
A	1"	1"
A	2"	2"
B	1"	2"
B	2"	2"



**DOUBLE AIR-VACUUM VALVE  
TYPE "A"**

AIR-VACUUM VALVES

DATE	REVISIONS	BY

CITY OF BIGGS	
STANDARD DETAIL	
308	
DAVID L. SWARTZ, P.E. APPROVED	1/97 DATE