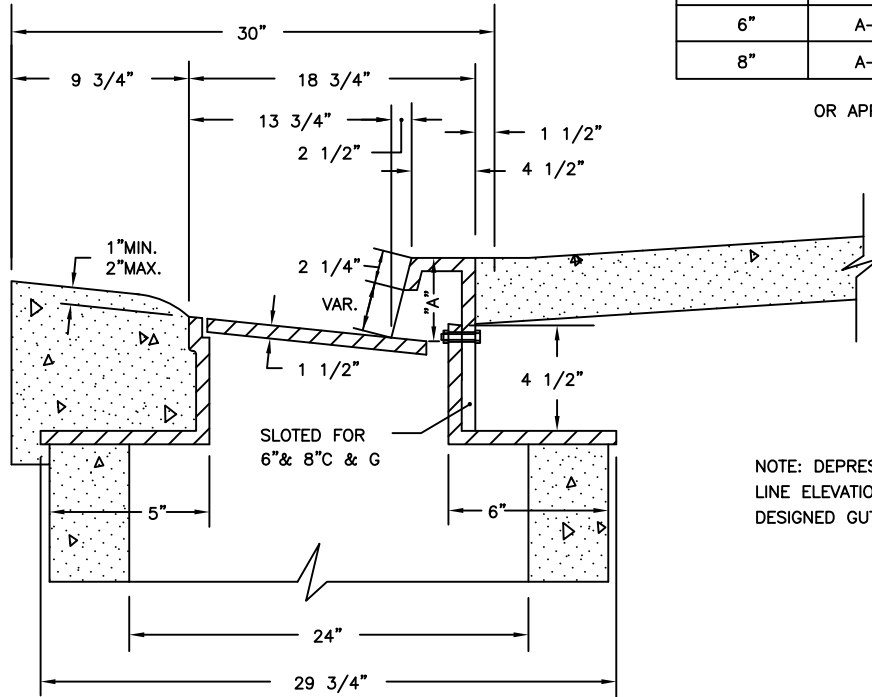


SCHEDULE "A"		
CURB HT.	PINKERTON NO.	"A"
6"	A-420B-M	6"
8"	A-420B-M	8"

OR APPROVED EQUAL



SECTION A-A

NOTE: DEPRESS GRATE FLOW LINE ELEVATION 1 1/2" BELOW DESIGNED GUTTER FLOW LINE.

DROP INLET DRAINAGE GRATE ASSY.

DATE	REVISIONS	BY

CITY OF BIGGS	
STANDARD DETAIL	
405	
DAVID L. SWARTZ, P.E. APPROVED	1/97 DATE