

5.5' LONG X 1/4" X 1 1/2" ANGLES
W/3-3/8" X 6" BOLTS WELDED
& EMBED IN CONCRETE.

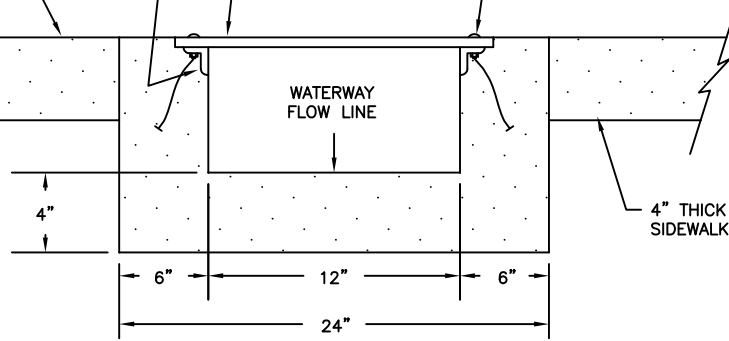
5.5" LONG X 17" WIDE X 1/4"
DIAMOND PLATE. GALVANNIZED

TOP SIDEWALK

3-1/4" COUNTER SINK
BOLTS-EQUAL SPACING

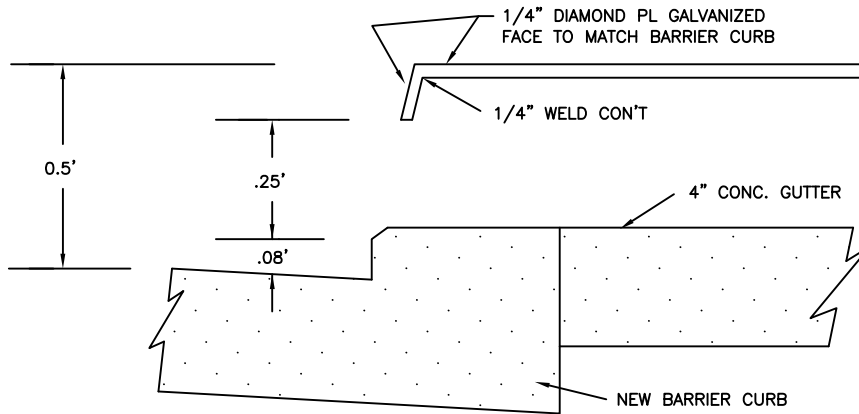
WATERWAY
FLOW LINE

4" THICK CONC.
SIDEWALK



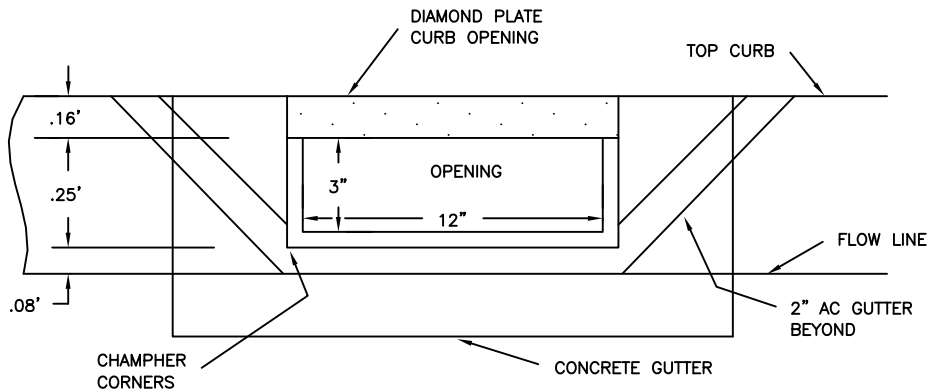
CURB FACE OPENING SECTION @ SIDEWALK

NOT TO SCALE



CURB FACE OPENING - SECTION

NOT TO SCALE



CURB FACE OPENING

NOT TO SCALE

UNDER SIDEWALK
DRAIN
6" BARRIER CURB

DATE	REVISIONS	BY

CITY OF BIGGS
STANDARD DETAIL
408
DAVID L. SWARTZ, P.E. APPROVED
1/97 DATE