

PLACE 2"x4"x4" REDWOOD STAKE, PAINTED WHITE, OVER PLUGGED END, MARKED "S" W/ DEPTH.

1' MIN - 2' MAX  
MARK "S" IN BACK OF SIDEWALK OVER SERVICE LATERAL.

PLACE 18" DIA. #12 WIRE CIRCLE AT SEWER LATERAL ENDS.

PLUG AT R/W (EASILY REMOVABLE)

PLACE SERVICE LINE AGAINST UNDISTURBED EARTH IN KEYWAY EXCAVATED IN TRENCH WALL A MIN. OF SERVICE O.D.

MIN. SLOPE 1/4" PER FOOT

LONG RADIUS BEND (TYP)

UNDISTURBED EARTH

"Y" FITTING OR TEE (NEW MAIN) OR TAPPING SADDLE FITTING (CONNECTION INTO EXISTING MAIN - SEE DETAIL BELOW)

3'-0" MIN.

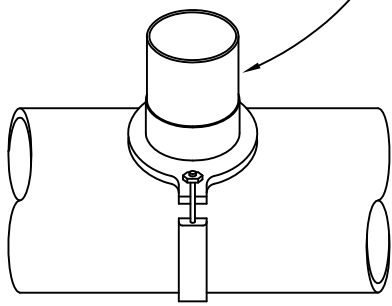
4" MIN. SERVICE LATERAL

1/8 BEND

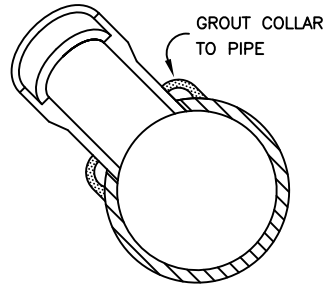
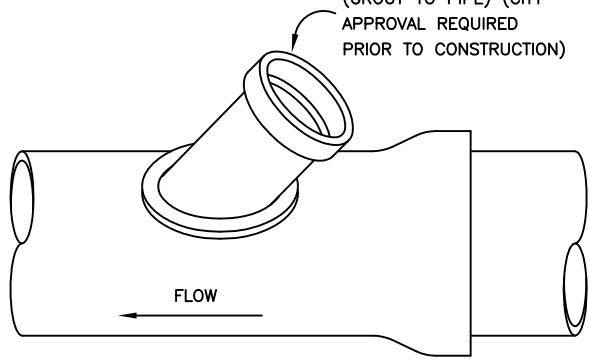
NOTES:

- SERVICES SHALL HAVE SAME BEDDING AND BACKFILL AS MAIN SEWER. (SEE STANDARD DETAIL #501)
- ANY REPAIRS DONE TO SERVICES OR MAINS SHALL HAVE COMPRESSION COUPLINGS WITH STAINLESS STEEL SHEAR RINGS

TAPPING SADDLE (CONNECTED TO PIPE W/STAINLESS STEEL STRAP) SEALTITE OR CITY APPROVED EQUAL.



TAPPING COLLAR WYE SADDLE (GROUT TO PIPE) (CITY APPROVAL REQUIRED PRIOR TO CONSTRUCTION)



SANITARY SEWER SERVICE & CONNECTION

DATE	REVISIONS	BY

CITY OF BIGGS  
STANDARD DETAIL  
502  
DAVID L. SWARTZ, P.E. APPROVED  
1/97 DATE